

# TP-100-VGA

10.1" 16:10 WXGA P-Cap Multi-Touch Teach Pendant, VGA Input



## Main Features

- Modern, ergonomic, user-friendly and operated comfortably
- Multi channels deadman switch and E-Stop button
- Full IP65 protectione
- 10.1" WXGA 1280 x 800 500 nits LED panel
- 5 points projected capacitive touch with Full IP65 protection
- Two external USB 2.0 for data backup
- An emergency-stop button is available as further safety element
- Anti-vibration/shock IEC/EN 61131-2 compliance
- EMC (IEC/EN 61000-6-2/4, IEC/EN 61131-2) compliance
- System frame ground protection (GPE) design

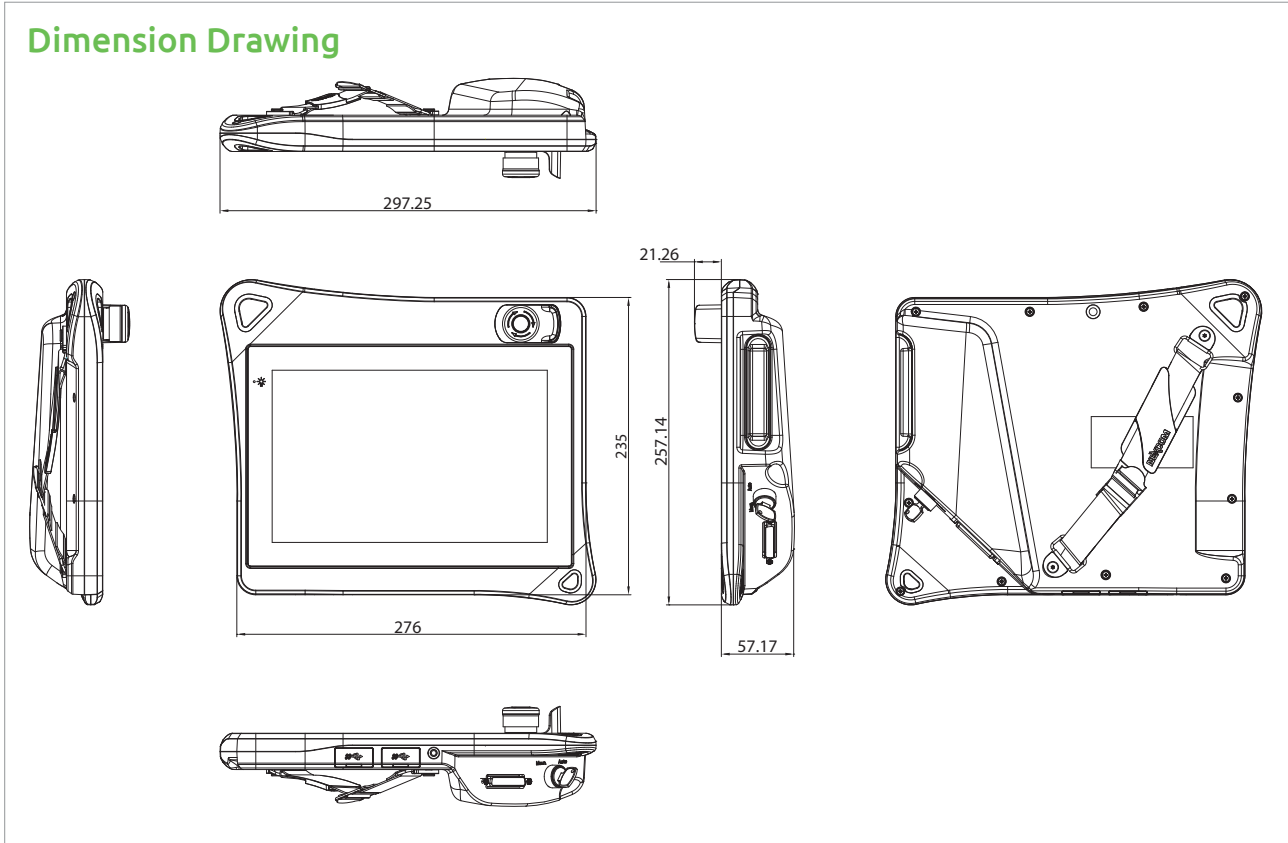
## Product Overview

TP-100-VGA is handheld operating teach pendant features an ergonomic housing with a safety elements, 10.1" WXGA resolution Panel and Multi-Touch P-Cap. The handheld control unit is greatest comfortable to used and also support left-hander with optional shoulder Strap.

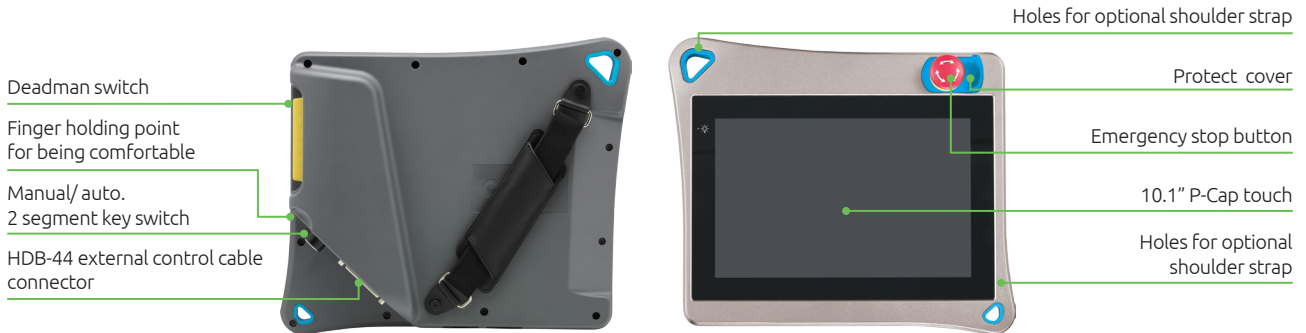
## Specifications

| Technical Data     | TP-100-VGA  | Technical Data | TP-100-VGA   |
|--------------------|---|----------------|--|
| Panel              | <ul style="list-style-type: none"> <li>- 10.1", 16:10, WXGA, 1280 x 800</li> <li>- Luminance: 500 cd/m<sup>2</sup></li> <li>- Contrast ratio: 800:1</li> <li>- LCD color: 16.7M</li> <li>- Viewing angle: 85 (U), 85 (D), 85 (L), 85 (R)</li> <li>- Backlight: LED</li> </ul>   | Interface      | <ul style="list-style-type: none"> <li>- Data back-up: 2 x USB 2.0</li> <li>- Controle connector: HDB-44 female                             <ul style="list-style-type: none"> <li>› Removable HDB-44 control cable (optional)</li> <li>› Including power, E-stop buttons, deadman switch, key switch, USB 2.0 and VGA signals</li> </ul> </li> </ul>  |
| Touch              | <ul style="list-style-type: none"> <li>- Touch: 5 points P-Cap</li> <li>- Touch light transmission: 87%</li> <li>- Touch interface: USB</li> <li>- Anti-scratch surface: 7H hardness</li> </ul>   | Ratings        | <ul style="list-style-type: none"> <li>- Power supply voltage: 24 Vdc (19.2 to 28.8 Vdc)</li> <li>- Current consumption:                             <ul style="list-style-type: none"> <li>› TP-100-VGA 0.625A at 24Vdc (max.)</li> </ul> </li> </ul>   |
| Safety Elements    | <ul style="list-style-type: none"> <li>- Emergency stop button (2 NC channels, B10d=130,000)                             <ul style="list-style-type: none"> <li>› Contact function: latching</li> <li>› Reset: by rotating</li> </ul> </li> <li>- 3-position Deadman switch (3 channels 2 NO &amp; 1 NC, B10d=100,000)</li> </ul> | Mechanical     | <ul style="list-style-type: none"> <li>- Dimension: 297.3 x 257.2 x 57.2 mm (78.5mm including E-stop button)</li> <li>- Weight (without external control cable):                             <ul style="list-style-type: none"> <li>› TP100-VGA 1.5Kg</li> </ul> </li> <li>- Front bezel: aluminum magnesium alloy; color: Pantone 8424C</li> <li>- Back cover: ABS+PC; color: Pantone 432C</li> <li>- IP protection class: Full IP65</li> </ul> |
| Operating Elements | <ul style="list-style-type: none"> <li>- 2-position key switch (2 channels)</li> </ul>  | Environment    | <ul style="list-style-type: none"> <li>- Operatng temperature: 0°C to 50°C</li> <li>- Storage temperature: -20°C to 75°C</li> <li>- Operating humidity: 5%~90% relative humidity, non-condensing</li> <li>- Vibration resistance/shock-proof/free-fall according to EN 61131-2</li> </ul>  |
| System             | <ul style="list-style-type: none"> <li>- TP-100-VGA: VGA input</li> <li>- USB2.0 upstream</li> </ul>  | Certifications | <ul style="list-style-type: none"> <li>- CE (Emission EN61000-6-4; Immunity EN61000-6-2 for installation in industrial environments)</li> <li>- FCC Class A</li> </ul>   |

## Dimension Drawing



## Function and Ergonomic Design



## HDB-44 Pin Definition

| 44-Pin | Function  | 44-Pin | Function      | 44-Pin | Function     | 44-Pin | Function   |
|--------|-----------|--------|---------------|--------|--------------|--------|------------|
| 1      | Shielding | 12     | DS_NO_2-A     | 23     | VGA_BLUE_GND | 34     | Shielding  |
| 2      | DC Power+ | 13     | DS_NO_2-B     | 24     | VGA_VSYNC    | 35     | VGA_RED    |
| 3      | DC Power- | 14     | DS_NC_3-A     | 25     | VGA_DDCDAT   | 36     | VGA_GREEN  |
| 4      | ES_NC_1-A | 15     | DS_NC_3-B     | 26     | VGA_5V       | 37     | VGA_BLUE   |
| 5      | ES_NC_1-B | 16     | KS_NC_1-A     | 27     | USB_5V       | 38     | VGA_HSYNC  |
| 6      | ES_NC_2-A | 17     | KS_NC_1-B     | 28     | USB-         | 39     | VGA_DDCCLK |
| 7      | ES_NC_2-B | 18     | KS_NC_2-A     | 29     | USB3_RXN     | 40     | VGA_GND    |
| 8      | RESERVED  | 19     | KS_NC_2-B     | 30     | USB3_TXN     | 41     | USB_GND    |
| 9      | RESERVED  | 20     | RESERVED      | 31     | RESERVED     | 42     | USB+       |
| 10     | DS_NO_1-A | 21     | VGA_RED_GND   | 32     | RESERVED     | 43     | USB3_RXP   |
| 11     | DS_NO_1-B | 22     | VGA_GREEN_GND | 33     | Shielding    | 44     | USB3_TXP   |

## Ordering Information

### Barebone

- ♦ **TP-100-VGA (P/N: 10IH0010001X0)**  
10.1" 16:10 WXGA P-Cap multi-touch teach pendant display, VGA input