



NEIO-B1101



NEIO-B1102

Main Features

- ♦ Finger-safe wiring cover
- ♦ Detachable screw terminals
- ♦ Rotational pin-assignment marks
- ♦ On-module LED indicators
- ♦ User-friendly wiring label
- ♦ Multiple mounting methods

Product Overview

NEIO-B1101 is a 32-channel PNP type digital input EtherCAT slave module. The voltage input of NEIO-B1101 is 24 V_{DC} which complies with IEC-61131-2 Standard. NEIO-B1102 is a 32-channel PNP/NPN type digital input EtherCAT slave module. The input filter of NEIO-B1102 is 1 ms, and its normal input voltage is 24 V_{DC}. All of the NEIO modules are provided with high isolation protection, and verified by the EtherCAT conformance test tool. Therefore NEIO is a reliable module to implement in your applications.

Specifications

Digital Input

Model Name	NEIO-B1101	NEIO-B1102
Type	PNP	PNP/NPN
Input Voltage	24 V _{DC}	
On-State Voltag, "1"	15~30 V _{DC} (IEC 61131-2 type 1) 11~30 V _{DC} (IEC 61131-2 type 2/3)	9~24 V _{DC}
Off-State Voltag, "0"	0~5 V _{DC} (IEC 61131-2 type 1/2/3)	0~8 V _{DC}
Input Filter	3 ms	1 ms

Communication

- ♦ Protocol: EtherCAT
- ♦ Bus interface: 2 x RJ-45 (daisy-chain)
- ♦ Media: Ethernet cable (min. CAT 5), shielded
- ♦ Distance between stations: maximum. 100m (100BASE-TX)
- ♦ Data transfer rate: 100M baud

Power Requirements

- ♦ DC input range: DC 24V ±20% with over-voltage and reversed-voltage protection

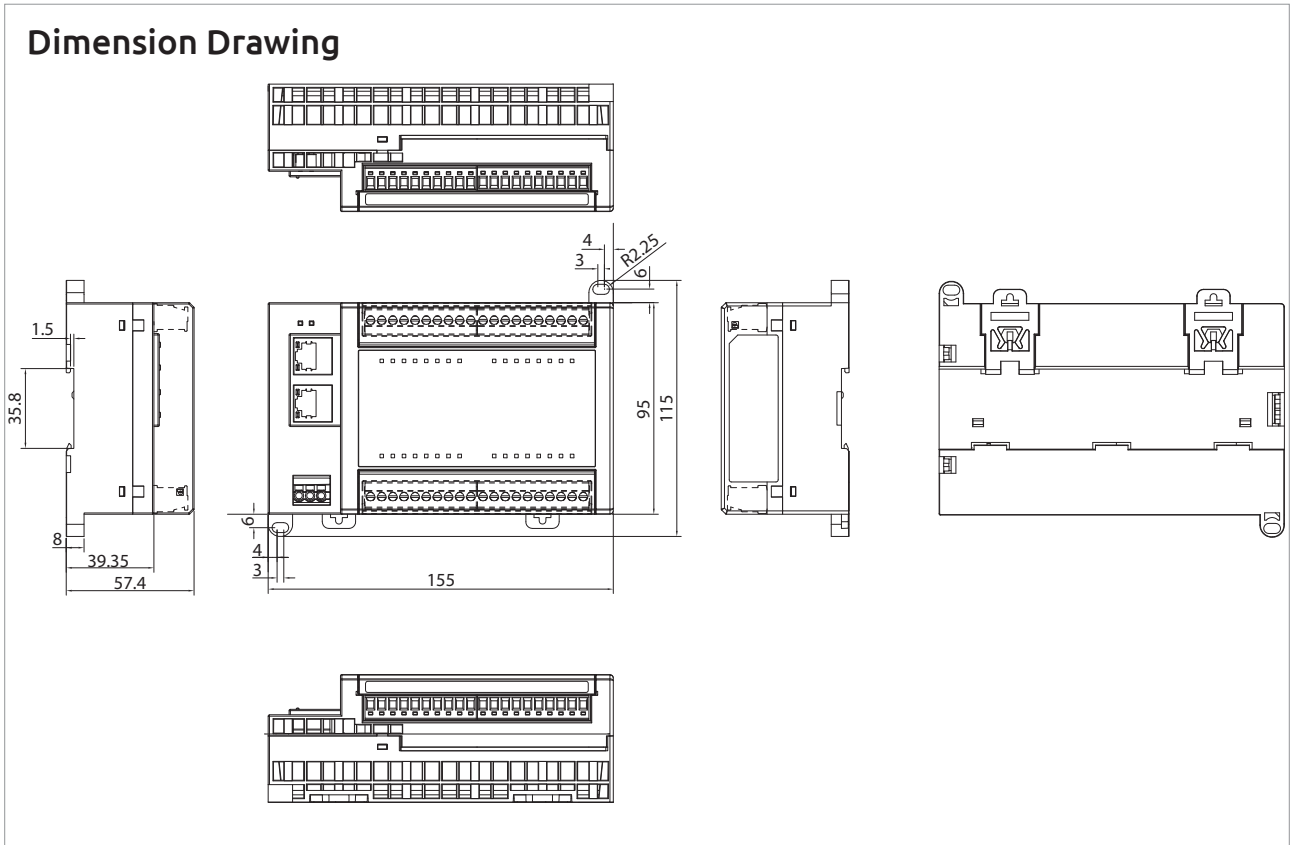
Model Name	NEIO-B1101	NEIO-B1102
Power Consumption	2 W	2.5 W

Common Section

- ♦ Electrical isolation: 2.5 kV (power contact)
- ♦ Operating temperature: 0°C~55°C
- ♦ Storage temperature: -40°C~85°C
- ♦ Relative humidity: 5~95%, non-condensation, non-operating
- ♦ Shock: IEC 60068-2-27
- ♦ Vibration: IEC 60068-2-6, IEC 60068-2-64
- ♦ Enclosure type rating: IP20
- ♦ Mounting type: din-rail (35mm), wall-mount
- ♦ Dimesions (mm): 155 x 115 x 57.4 (W x H x D)

Certifications

- ♦ CE
- ♦ FCC Class A



Ordering Information

- ◆ **NEIO-B1101 (P/N:10J80110100X0)**
32-CH digital input EtherCAT slave module (PNP)
- ◆ **NEIO-B1102 (P/N:10J80110200X0)**
32-CH digital input EtherCAT slave module (PNP/NPN)
- ◆ **AC to DC din rail power supply (P/N: 7440060001X00)**
60 W 24V/2.5A for NISE

